

CIRCUIT DIAGRAM

P.C.B LAND PATTERN

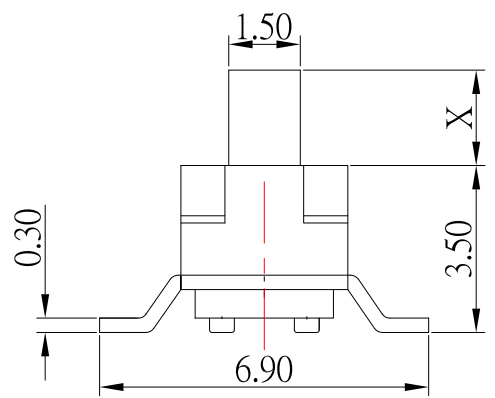
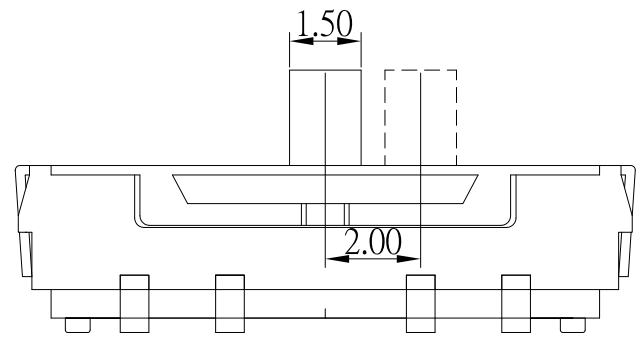
SS-F36Sx-x-S246

MODEL NO.	Knob(X)	SLIDER COLOR :
SS-F36S	2.0 mm	
SS-F36SA	4.0 mm	

Black : B
White : Blank

SPECIFICATIONS

Rating	0.3A 6V DC
Insulation Resistance	50MΩ Min.
Dielectric Withstanding Voltage	AC 250 V(50Hz)1min
Contact Resistance	100mΩ Max.
Operating Force	230 ± 70gf
Operating Life	10,000 cycles



NO.	DESCRIPTION	QTY	MATERIAL	PLATING
E	TERMINAL	8	PHOSPHOR BRONZE	Ag plated
D	CLIP	2	COPPER	Ag plated
C	COVER	1	STAINLESS STEEL	
B	CASE	1	LCP	Black
A	SLIDER	1	PPA	Black

6	更新CIRCUIT DIAGRAM	Jack	120618
5	更新接腳編號	Jack	060518
4	新增SLIDER顏色選項	Jack	062315
3	更新料號及SLIDER顏色	Jack	060515
2	更新圖面位置及新增高度選項	Jack	121714
1	更新材質及SPEC	Jack	103113
ITEM NO.	DESCRIPTION	DRAWN	DATE

CONTACT 建倚科技股份有限公司
CONTACT TECHNOLOGY CORP.

TOLERANCE UNLESS OTHERWISE STATED :
 Up to 5 ±0.2
 Above 5 ~ 15 ±0.3
 Above 15 ~ 30 ±0.4
 Above 30 ~ 50 ±0.5
 Angle ±0.3



UNITS MM

DRAWN BY:	DATE	MAT'L	TITLE	SWITCH
Jack Lu	12/06/18		MODLE	SLIDE SWITCH
CHECKED BY:	DATE	FINISH	SCALE	1 : 1
Jacky Chen	12/06/18		DWG NO.	SS-F36Sx-x-S246
APPROVED BY:	DATE	SHEET NO.	PART NO.	SS-F36Sx-x-S246
Tony Kao	12/06/18	1 of 1	SIZE	A4
			VER	R6